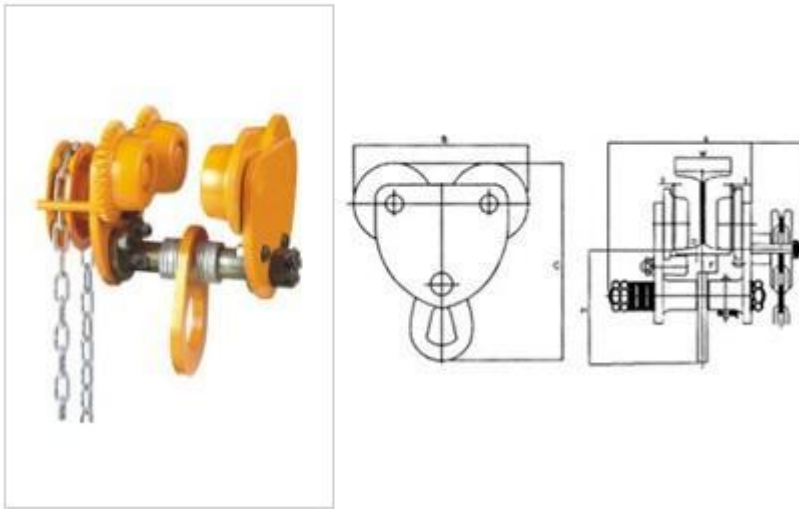




Geared Trolley SPC-B Series

Model: SPC-B Capacities 1000 - 10,000 kg

The **Geared Trolley** can be hung on the regular I-steel in various. it enables the exact positioning or easy traversing of large loads with either manual or powered **hoisting equipment**.



Specifications

Geared Trolley SPC-B

Designed to function on both flat and minor irregular beams surface like I-beam and H-beam.

Geared trolley SPC-B

1. Easy installation and on-site operations
2. Dual tread iron wheels with high quality sealed ball bearing
3. Heavy rolled steel side plates with a universal hanging eye, can be coupled closely to most hoists.

GEARED TROLLEY SPC-B SERIES SPECIFICATION														
Capacity Capacity Capacity (Ton)	Compatible Rail Size (mm)				Dimensions(mm)								Min. Rotation Radius(mm)	N/W (kg)
	Width(W)		Height(H)		A	B	C	D	E	F	K			
	Min.	Max.	Min.	Max.										
1	75	125	125	250	206	231	120	45	80	27	117	1300	14.0	
2	100	150	150	400	241	271	155	60	100	33	119	1500	23.5	
3	100	150	180	400	261	311	185	70	113	47	134	2000	33.5	
5	125	175	250	450	294	351	220	80	125	53	134	2600	53.5	
10	150	175	250	450	294	721	165	-	125	53	134	-	101.0	

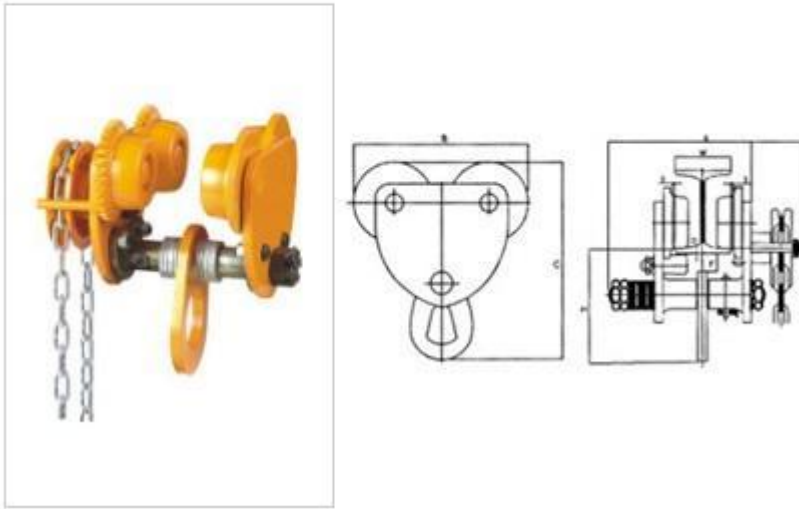
Notes: the standard length of hand Pulley chain is 3 meter



Geared Trolley SPC-B Series

Model: SPC-B Capacities 1000 - 10,000 kg

The **Geared Trolley** can be hung on the regular I-steel in various. it enables the exact positioning or easy traversing of large loads with either manual or powered **hoisting equipment**.



Specifications

Geared Trolley SPC-B

Designed to function on both flat and minor irregular beams surface like I-beam and H-beam.

Geared trolley SPC-B

1. Easy installation and on-site operations
2. Dual tread iron wheels with high quality sealed ball bearing
3. Heavy rolled steel side plates with a universal hanging eye, can be coupled closely to most hoists.

GEARED TROLLEY SPC-B SERIES SPECIFICATION														
Capacity Capacity Capacity (Ton)	Compatible Rail Size (mm)				Dimensions(mm)								Min. Rotation Radius(mm)	N/W (kg)
	Width(W)		Height(H)		A	B	C	D	E	F	K			
	Min.	Max.	Min.	Max.										
1	75	125	125	250	206	231	120	45	80	27	117	1300	14.0	
2	100	150	150	400	241	271	155	60	100	33	119	1500	23.5	
3	100	150	180	400	261	311	185	70	113	47	134	2000	33.5	
5	125	175	250	450	294	351	220	80	125	53	134	2600	53.5	
10	150	175	250	450	294	721	165	-	125	53	134	-	101.0	

Notes: the standard length of hand Pulley chain is 3 meter