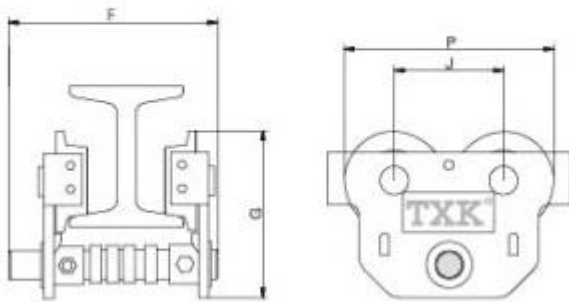




Manual Trolley



Characteristics: More smooth horizontal runs. Buffer block pieces can prevent hitting and avoid **trolley** dropping from the rail. Pulley edge can help the trolley to avoid dropping from the rail too. Suitable for light manual lifting operation.



Technical Parameter

Model	capacity(t)	Unit(t)				Minimum radius of turn
		F	G	P	J	
PC-0.5	0.5	200	130	91	50-12	0.6
PC-01	1	200	170	115	50-102	1.0
PC-02	2	218	205	138	68-130	1.0
PC-03	3	275	236	157	82-153	1.2
PC-05	5	275	280	178	82-153	1.6

**PLAIN TROLLEY**

Model:PT

Model	Capacity (ton)	I-Beam recommended A(mm)	I-Beam recommended B(mm)	N.W. (kg)
PT1	1.0	80-146	64-140	8.7
PT2	2.0	80-168	76-165	10.4
PT3	3.0	88-168	76-203	24
PT5	5.0	100-170	88-203	36
PT10	10.0	122-203	125-203	83

