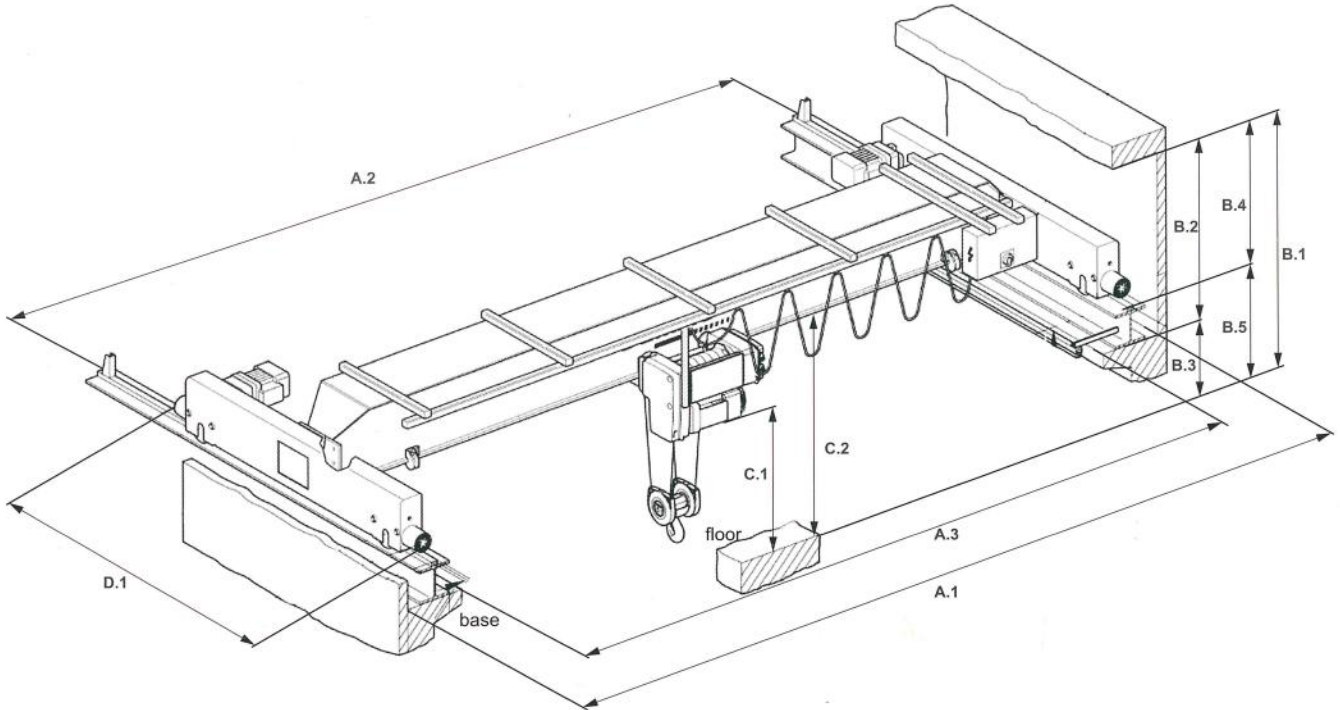




Single Girder Type



SPECIFICATIONS

General Information

Capacity	_____
Lifting Height	_____
Hoist Type	_____
Hoist Lifting Speed	Single or dual speed
Hoist Trolley Speed	Single or dual speed
End Carriage Speed	Single or dual speed

Power Supply Solution

For Hoist & Trolley (X axle)	Cable or Sliding wire
For End Carriages (Y axle)	Cable or Sliding wire

Other Information

Power Supply	380V or ()
Control Voltage	48V or ()
Duty Class	_____
Environment	_____
Operating Terminals	Pendant or Remote

DIMENSIONS

A Horizontal Dimension

A.1	Building Width	_____
A.2	Girder Span	_____
A.3	Base-Base Width	_____

B Vertical Dimension

B.1	Building Height	_____
B.2	Base-Roof Distance	_____
B.3	Base-Floor Distance	_____
B.4	Rail-Roof Distance	_____
B.5	Rail-Floor Distance	_____

C Height Dimension

C.1	Lifting Height	_____
C.2	Girder-Floor Height	_____

D Other Dimension

D.1	End Carriage Length	_____
-----	---------------------	-------

Maximum Lifting Capacity: 10Ton

New European designed crane with superior performance, compact and optimized headroom structure which maximises your working space. Frequency converters for end carriages, hoist/s and trolleys can be added for smooth and stable operation.