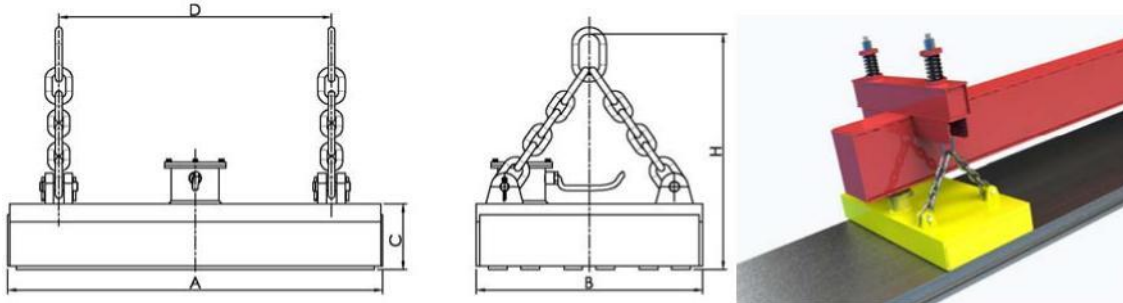




EP MAGNETS - FOR STEEL BILLETS

This series of EP magnets uses multiple rectangle magnetic poles with a working air-gap. Used widely for single or joint lifting steel billets, heavy rail or rows of materials.



Model	Rated lifting capacity(kg)	Overall dimension(mm)					Weight (Kg)	Samples of lifting capacity					
		A	B	C	D	H		billet(mm)	Lifting pieces	Sustained length each magnet(m)	billet(mm)	Lifting pieces	Sustained length each magnet(m)
HEPMB-7035	1300	710	350	250	400	655	472	billet(mm)	100	120	130	150	200
								Lifting pieces	6	5	4	4	3
								Sustained length each magnet(m)	2.78	2.31	2.14	1.85	1.4
HEPMB-10040	2300	1000	400	270	600	675	745	billet(mm)	100	120	130	150	200
								Lifting pieces	9	7	7	6	4
								Sustained length each magnet(m)	2.78	2.78	2.57	2.22	1.67
HEPMB-7070	2600	700	700	250	400	655	945	billet(mm)	100	120	130	150	200
								Lifting pieces	6	5	4	4	3
								Sustained length each magnet(m)	5.56	4.63	4.3	3.7	2.78
HEPMB-10080	4500	1000	800	280	600	690	1500	billet(mm)	100	120	130	150	200
								Lifting pieces	9	7	7	6	4
								Sustained length each magnet(m)	5.56	5.56	5.14	4.45	3.34
HEPMB-12080	5700	1200	800	250	800	690	1800	billet(mm)	100	120	130	150	200
								Lifting pieces	11	9	8	7	5
								Sustained length each magnet(m)	5.56	5.56	5.14	4.45	3.34
HEPMB-14080	6800	1400	800	280	800	690	2100	billet(mm)	100	120	130	150	200
								Lifting pieces	13	10	10	8	6
								Sustained length each magnet(m)	5.56	5.56	5.14	4.45	3.34
HEPMB-16095	9800	1600	950	280	1000	720	2730	billet(mm)	100	120	130	150	200
								Lifting pieces	15	12	11	10	7
								Sustained length each magnet(m)	5.56	5.56	5.56	5.56	4.17