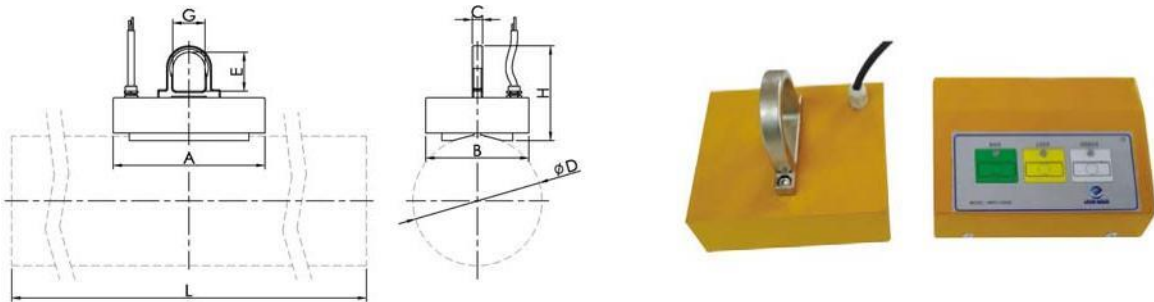




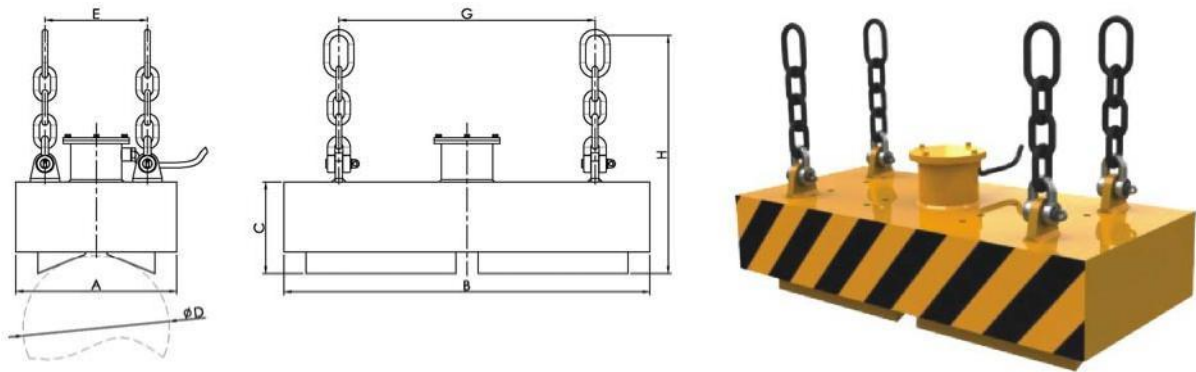
**EP MAGNETS - FOR SINGLE STEEL PIPE & ROUND**

Model	Rated lifting capacity(kg)	Overall dimension(mm)								Weight (Kg)
		A	B	C	D	E	G	H	L(based on round steel)	
HEPMSP-100	100	135	160	16	50~200	60	50	150	0.4m(D=200); 4m(D=50)	9.5
HEPMSP-300	300	305	160	16	50~200	60	50	165	1.2m(D=200); 5m(D=50)	23
HEPMSP-600	600	560	190	22	60~300	70	50	180	1m(D=300); 6m(D=60)	48
HEPMSP-1000	1000	680	230	25	100~500	90	70	206	0.7m(D=500); 6m(D=100)	72



Note: These EP magnets can be used for lifting angle steel, I beams and C steel, v arious magnet base types are available.

**EP MAGNETS - FOR BUNDLED ROUND STEEL**



Model	Rated lifting capacity(kg)	Overall dimension(mm)								weight (Kg)	Lifting Samples
		A	B	C	D	E	G	H			
HEPMR-4075S	750	400	750	252	250	280	500	655	540	4 pieces jointly, lifting one bundle with 12m length bundle diameter ≤250mm, weight ≤2tons	
HEPMR-4480S	1000	440	800	252	300	280	500	655	650	4 pieces jointly, lifting one bundle with 12m length, bundle diameter ≤300mm, weight	
HEPMR-44100S	1500	440	1000	282	400	320	700	705	780	4 pieces jointly, lifting one bundle with 12m length, bundle diameter ≤400mm, weight	

**“Service to Industry” - Crane & Materials Handling Specialists**

T: 02 9632 5608 F: 029892 1827 • 6 Guernsey Street Guildford NSW 2161

[www.ems-au.com](http://www.ems-au.com)