



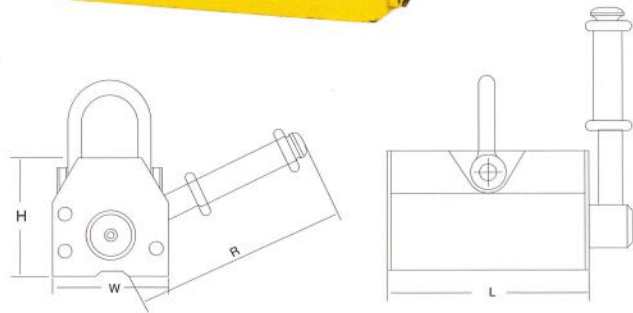
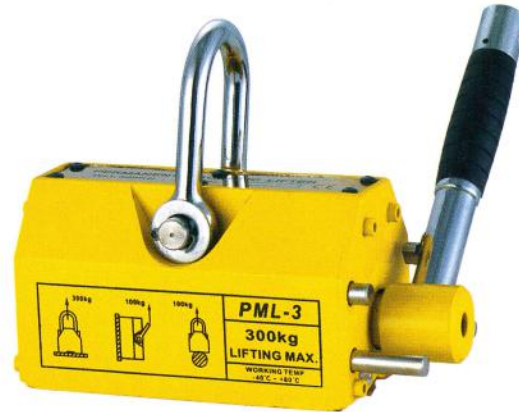
**PERMANENT
MAGNETIC LIFTER**

Model: PML

The permanent magnetic lifter can be used in a variety of industries for the transportation and lifting of steel, engine parts, semi manufactured goods and moulds, due to its natural magnetic force.

Features

- ◆ The magnetic lifter's highest pulling force is 3.5 times greater than rated lifting capability.
- ◆ Light weight, ranging from 10-125kg.
- ◆ Safe: No electricity is needed to operate the magnetic lifter, once operated there is less than 1% residual magnetism.
- ◆ The simple switch and safety button design allows for one handed operation.
- ◆ Large sizes available, output up to 6000kg.
- ◆ How to determine the right type of magnetic lifting for your application?
- ◆ The capacity of lifting magnet determined by the thickness and surface quality of the component;
- ◆ Before operation it is necessary to find out the percentage or the steel thickness or the component and capacity curve;
- ◆ If the components surface roughness is less than 6.3um, the magnetic lifter surface gap will not exist, the lifter gap should be estimated.



3.5 times safety factor

Model	Rated lifting strength	Cylindrical lifting strength	Max. pull-off strength	L	W	H	R	Operation temperature	Net weight
	Kgf	Kgf	Kgf					°C	Kg
Pml-1	100	30	350	92	64	70	145	<80	3
Pml-3	300	100	1050	165	88	96	176	<80	10
Pml-5	500	150	1750	216	118	118	219	<80	20
Pml-6	600	200	2100	236	118	120	219	<80	24
Pml-10	1000	300	3500	264	168	168	285	<80	50
Pml-15	1500	500	5200	352	168	168	380	<80	70
Pml-20	2000	600	7000	378	226	216	462	<80	125
Pml-30	3000	1000	10500	453	290	265	567	<80	220
Pml-50	5000	1500	17500	647	290	265	707	<80	355
Pml-60	6000	2000	19200	713	290	266	707	<80	398

3.0 times safety factor

Model	Rated lifting strength	Cylindrical lifting strength	Max. pull-off strength	L	W	H	R	Operation temperature	Net weight
	Kgf	Kgf	Kgf					°C	Kg
Pml-1	100	30	300	92	64	70	145	<80	3
Pml-2	200	60	600	114	72	86	145	<80	5
Pml-3	300	100	900	165	88	96	176	<80	10
Pml-5	500	150	1500	210	88	96	203	<80	12.5
Pml-6	600	200	1800	216	118	118	219	<80	20
Pml-10	1000	300	3000	264	148	138	266	<80	37
Pml-15	1500	500	4500	308	168	168	285	<80	62
Pml-20	2000	500	6000	397	168	168	380	<80	80
Pml-30	3000	1000	9000	443	226	216	512	<80	160
Pml-50	5000	1500	15000	582	290	265	627	<80	320
Pml-60	6000	2000	18000	713	290	265	707	<80	398